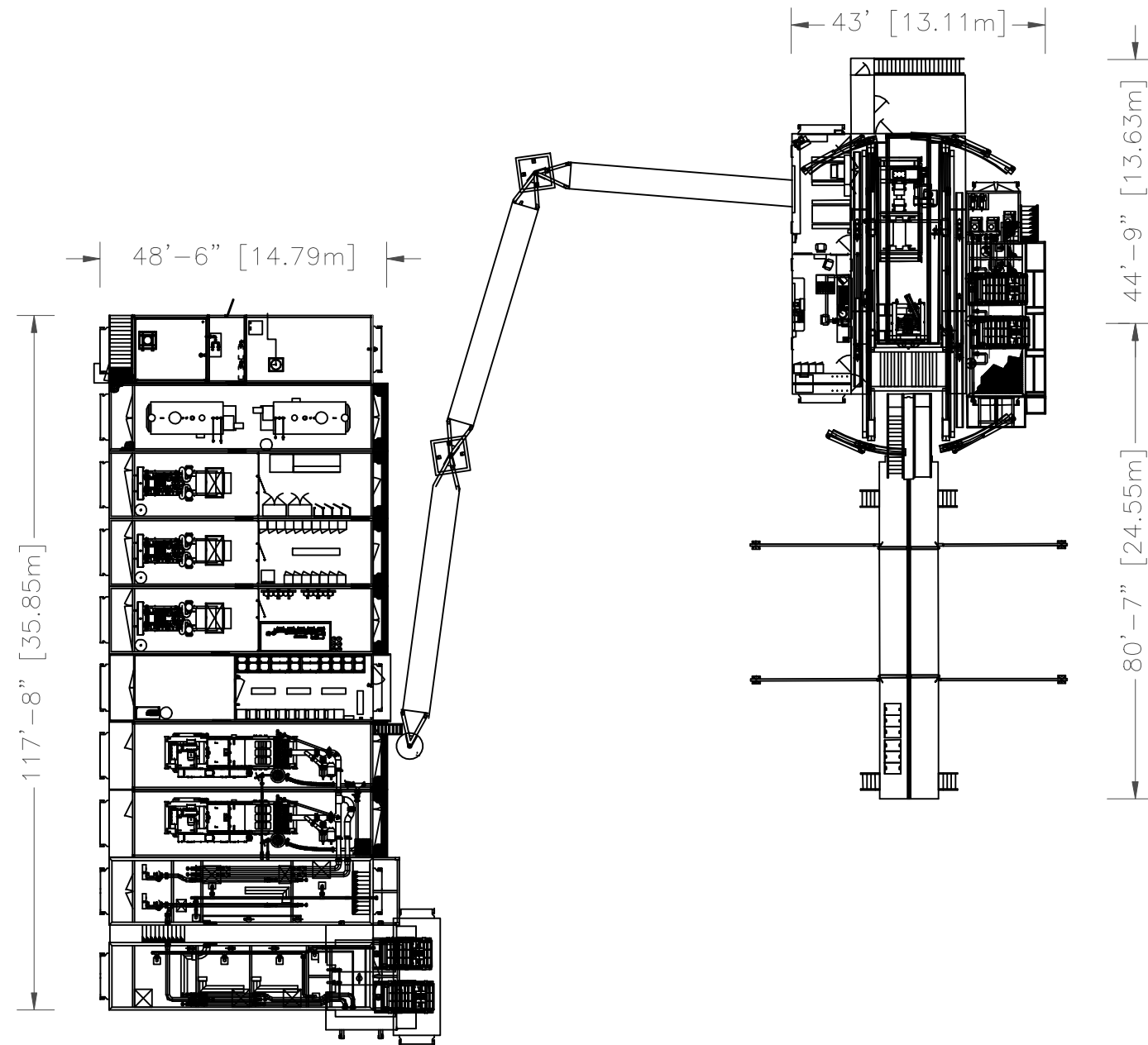




# RIG 29<sup>E</sup>

## GENERAL LAYOUT

JUNE, 2007



RIG MANAGER